

Hand lever valve

4H Series(New)



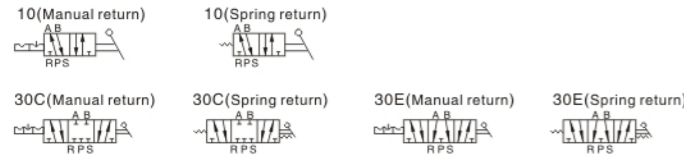
Product feature

1. Manual operation, smooth actuation, and exact and reliable orientation;
2. Sliding column structure has good tightness and light weight and is easy to install and dismount;
3. Internal hole adopts special processing technology which has little attrition friction, long service life;
4. No need to add oil for lubrication;
5. Panel-mounting makes it convenient to install and apply.

Ordering code

4H	2	30C	-	08	-	P
Code		Valve type		Port size		
2: 200 Series		10: 5/2 way		06: 1/8"		
3: 300 Series		30C: 5/3 way closed center		08: 1/4"		
		30E: 5/3 way exhaust center		10: 3/8"		
Model				Thread type		
4H: manual return				P: PT		
4HA: spring return				T: NPT		
				G: G		

Symbol

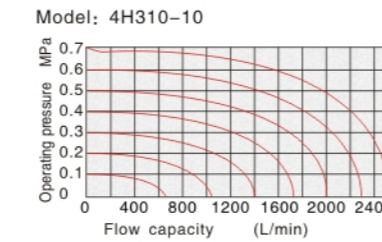
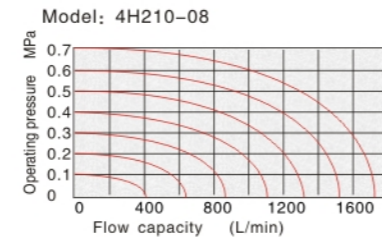


Specification

Model	210-06	230-06	210-08	230-08	310-08	330-08	310-10	330-10
Fluid	Air (to be filtered by 40μm filter element)							
Operating	Manual control direct acting type							
Port size ①	In=out =Exhaust=1/8"		In=out=1/4" Exhaust=1/8"		In=out Exhaust=1/4"		In=out=3/8" Exhaust=1/4"	
Orifice size (mm ²)	14.0	12.0	16.0	12.0	25.0	18.0	30.0	18.0
Cv	0.78	0.67	0.89	0.67	1.39	1.0	1.67	1.0
Valve type	5/2 Way	5/3 Way	5/2 Way	5/3 Way	5/2 Way	5/3 Way	5/2 Way	5/3 Way
Lubrication ②	Not required							
Pressure range	0 - 0.8MPa (0 - 116psi)							
Proof pressure	1.5MPa (215psi)							
Temperature °C	-20-70							
Material of body	Aluminum alloy							
Operating angle	±15°	±8.5°	±15°	±8.5°	±18°	±10°	±18°	±10°

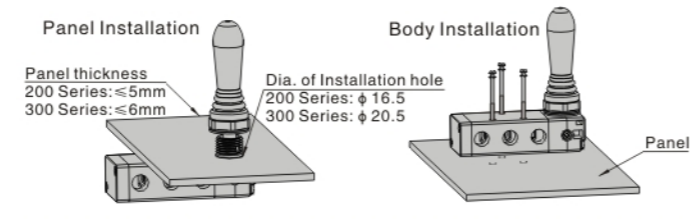
① PT thread, NPT thread and G thread are available;
② If add oil for lubrication, it is not allowed to stop midway. It is suggested to use ISO VG32 lubricant or the oil with the same grade.

Flow chart



Installation and operation

1. 5/3 way manual return hand lever valve is positioned by steel ball, which is convenient to switch. Please apply the proper force to avoid the position mismatch and misoperation.
 2. When installed by panel, disassemble the gasket according to the practical requirement.
 3. Below is the installation method for reference.
- Note: Please give your attention on the panel thickness and hole dimension when installed by panel.

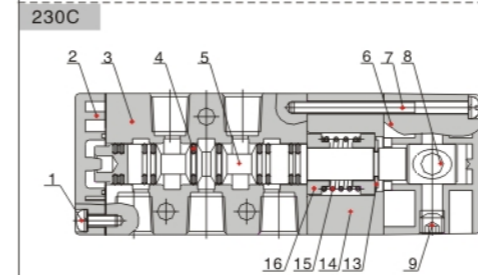
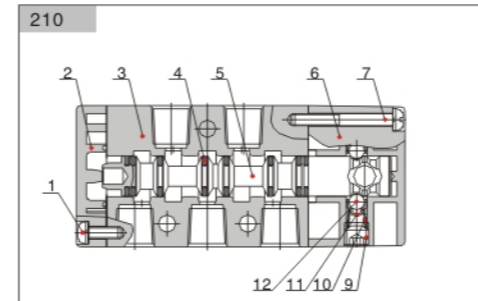


Hand lever valve

4H Series(New)

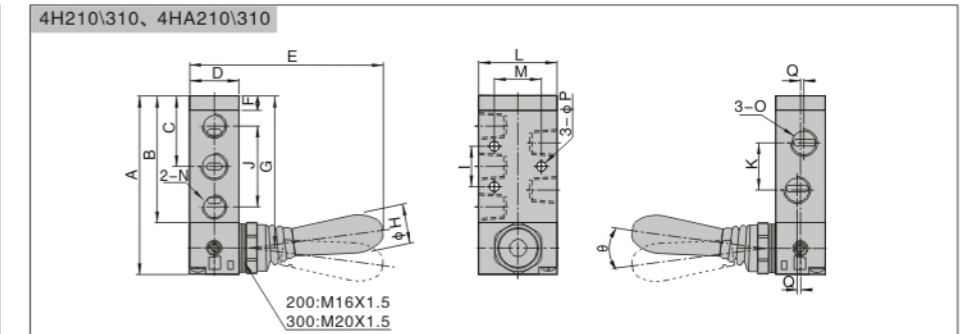


Inner structure



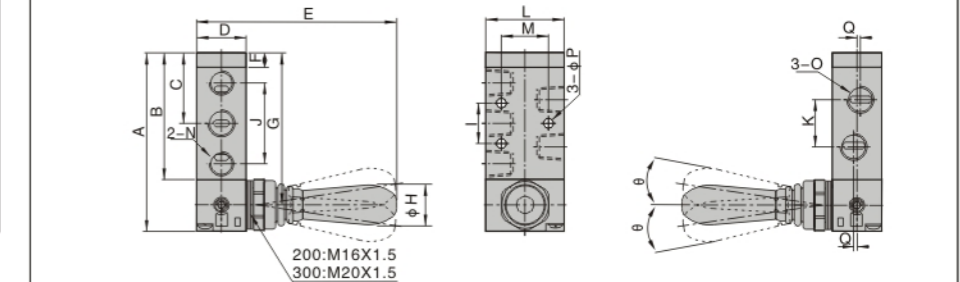
NO.	Item	NO.	Item
1	Round head screw	9	Stop screw
2	Bottom cover	10	Spring
3	Body	11	Steel ball jacket
4	O-ring	12	Steel ball
5	Spool	13	E clip
6	Top cover	14	Side cover
7	Round head screw	15	Spring
8	Axle	16	Spring holder

Dimensions



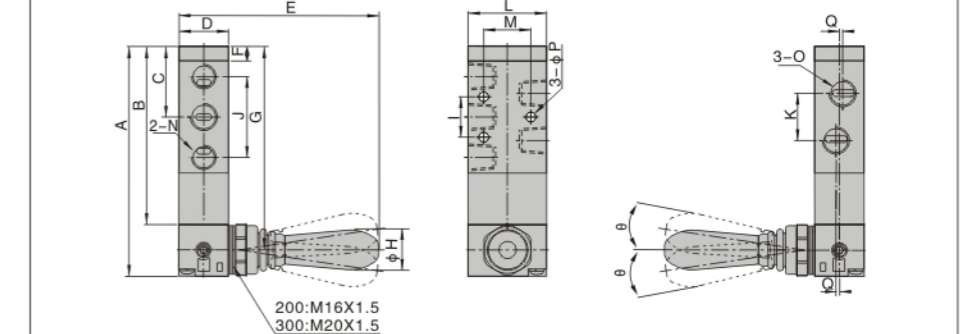
Type/Item	A	B	C	D	E	F	G	H	I	J	K	L	M	N	O	P	Q	θ
4H210-06	81.5	57.5	32.5	22	90	7.5	69.5	18	20	36	18	35	23.5	1/8"	1/8"	4.3	-	15
4HA210-06	81.5	57.5	32.5	22	90	7.5	69.5	18	20	36	21	35	23.5	1/8"	1/4"	4.3	1.5	15
4H210-08	101	73	40.5	27	93.5	8	87	18	24	45	22	40	27.5	1/4"	1/4"	4.3	-	18
4HA210-08	101	73	40.5	27	93.5	8	87	18	24	45	24	40	27.5	1/4"	3/8"	4.3	2	18

4H230C\330C, 4H230E\330E



Type/Item	A	B	C	D	E	F	G	H	I	J	K	L	M	N	O	P	Q	θ
4H230C-06	81.5	57.5	32.5	22	90.5	7.5	69.5	18	20	36	18	35	23.5	1/8"	1/8"	4.3	-	8.5
4H230E-06	81.5	57.5	32.5	22	90.5	7.5	69.5	18	20	36	21	35	23.5	1/8"	1/4"	4.3	1.5	8.5
4H230C-08	101	73	40.5	27	94	8	87	18	24	45	22	40	27.5	1/4"	1/4"	4.3	-	10
4H230E-08	101	73	40.5	27	94	8	87	18	24	45	24	40	27.5	1/4"	3/8"	4.3	2	10

4HA230C\330C, 4HA230E\330E



Type/Item	A	B	C	D	E	F	G	H	I	J	K	L	M	N	O	P	Q	θ
4HA230C-06	100.5	76.5	32.5	22	90.5	7.5	88.5	18	20	36	18	35	23.5	1/8"	1/8"	4.3	-	8.5
4HA230E-06	100.5	76.5	32.5	22	90.5	7.5	88.5	18	20	36	21	35	23.5	1/8"	1/4"	4.3	1.5	8.5
4HA230C-08	120	92	40.5	27	94	8	106	18	24	45	22	40	27.5	1/4"	1/4"	4.3	-	10
4HA230E-08	120	92	40.5	27	94	8	106	18	24	45	24	40	27.5	1/4"	3/8"	4.3	2	10